

PC30 Industrial Pressure Sensor



- Piezoresistive silicon chip employed
- Perfect long term stability
- MEMS technology
- CE certificate
- Sensor diameter: 19mm

PC30 industrial pressure sensor is a standard and most popular sensor applied in air and liquid pressure measuring. A high sensitivity silicon pressure chip is employed in the sensor. The housing is filled with oil for pressure transmission. The most important specification for industry application is long term stability. The PC30 sensor is designed for industry application with perfect long term stability.

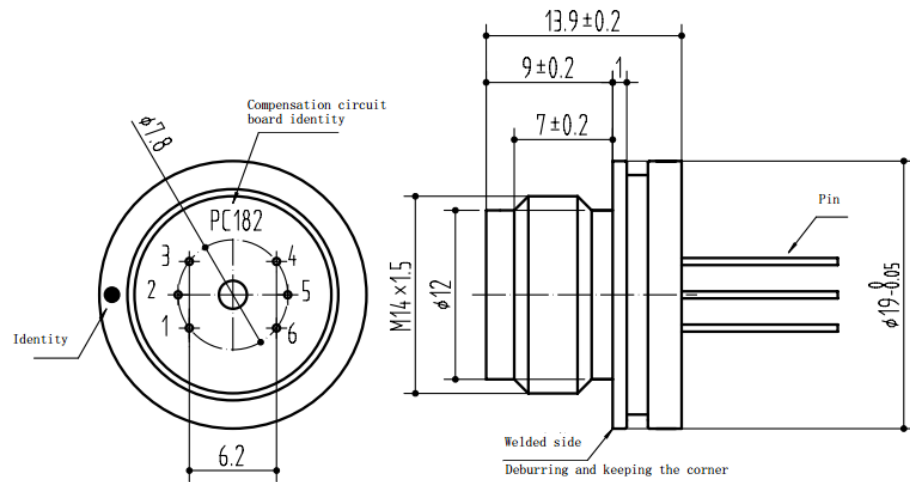
Diaphragm and pressure range

The diaphragm diameter has tight relation with pressure measured. Low pressure requires large diameter and high pressure needs small diameter. This is caused by oil expansion during temperature changing. It creates internal pressure due to the resistance of the diaphragm. The smaller diaphragm will create large internal pressure, and it is difficult to make zero compensation.

Caution

Please do not touch the diaphragm by finger and other hard objects, or it may be damaged.

Pressure range			
Pressure range	10MPa, 16MPa, 25MPa, 40MPa, 60MPa, 100MPa(bar and psi unit available)		
Pressure reference	Absolute pressure Sealed gauge pressure		
Overpressure	300%F.S.(≤70Kpa) 200%F.S.(<25Mpa) 150%F.S.(≥25Mpa)		
Output signal			
Zero output	±2mV		
Span output	100mV(Typical) 60mV(<100kPa)		
Specification			
Accuracy (linearity, repeatability and hysteresis)	±0.25%F.S. (Typical)		
Excitation	1.5mA (Typical) 5VDC 10VDC		
Compensated temp.	-10-70°C(Typical) 0-60°C(<100kPa)		
Operating temp.	-40-125°C		
Storage temp.	-40-125°C		
Zero temp. coefficient	0.02%F.S./°C(≥100kPa) 0.04%F.S./°C(<100kPa)		
Span temp. coefficient	0.02%F.S./°C(≥100kPa) 0.04%F.S./°C(<100kPa)		
Insulation resistance	>200Mohm/250VDC		
Bridge resistance	Min.	Max.	Unit
	2600	5500	ohm
Long term stability	≤0.2%F.S.S/year		
Vibration	20g (20-5000HZ)		
Oil filling	Silicon oil (Typical) Olive oil available for sanitary application		
O-ring	NBR, Viton		
Housing and diaphragm	Stainless steel 316L		
Wire connection	4 wire (typical) 5 wire (available) 39×φ0.015, Silicon shielded, 200°C bearing		
Pin connection	Kovar pin (0.6um Gold plated)		



In mm

1.5mA supply with temperature compensation

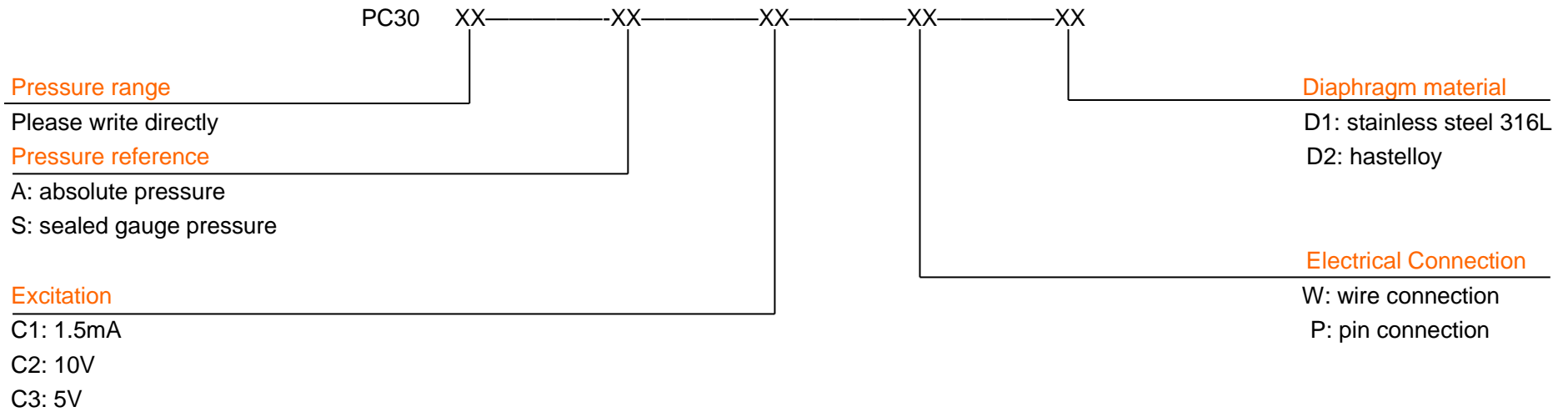
Pin	Connection
1 and 6	pending
2	output+
3	excitation+
4	output-
5	excitation-

5V supply with temperature compensation

Pin	Connection
1 or 6	excitation+
2	output+
3	excitation+
4	Output-
5	pending

Without temperature compensation

Pin	Connection
1 and 6	excitation+
2	Output+
3	excitation+
4	Output-
5	pending



Wotian reserves the right to make changes to any product in this publication without notice. The information we supply is believed to be accurate and reliable as of this printing.

Contact us

Nanjing Wotian Technology Co.,Ltd.
Add: 5 Wenying Road, Binjiang Development Zone, Nanjing, 211161, China
Sales Manager: Wuzhou Lian
MP: 0086-13998828452
Email: lianwuzhou@wtsensorus.com

Anshan Wotian Sensor Corp. (Branch Factory)
Add: 262, Yueling Road, Gaoxin District, Anshan, China
Sales Manager: Wuzhou Lian
MP: 0086-13998828452
Email: lianwuzhou@wtsensorus.com

American Company
Wotian Sensor Corporation
Sales Manager: Geoffery Gao
MP: 001- 626 808 1707
E-mail: geoffery@wtsensorus.com

German Company
Wotian Sensor GmbH
Sales Manager: Frances
E-mail: frances@wtsensorus.com

Korean Company
Korea Wotian Technology Co., Ltd.
Sales Manager: Yinji An
MP: 0086- 13478122009
E-mail: anyinji@wtsensorus.com